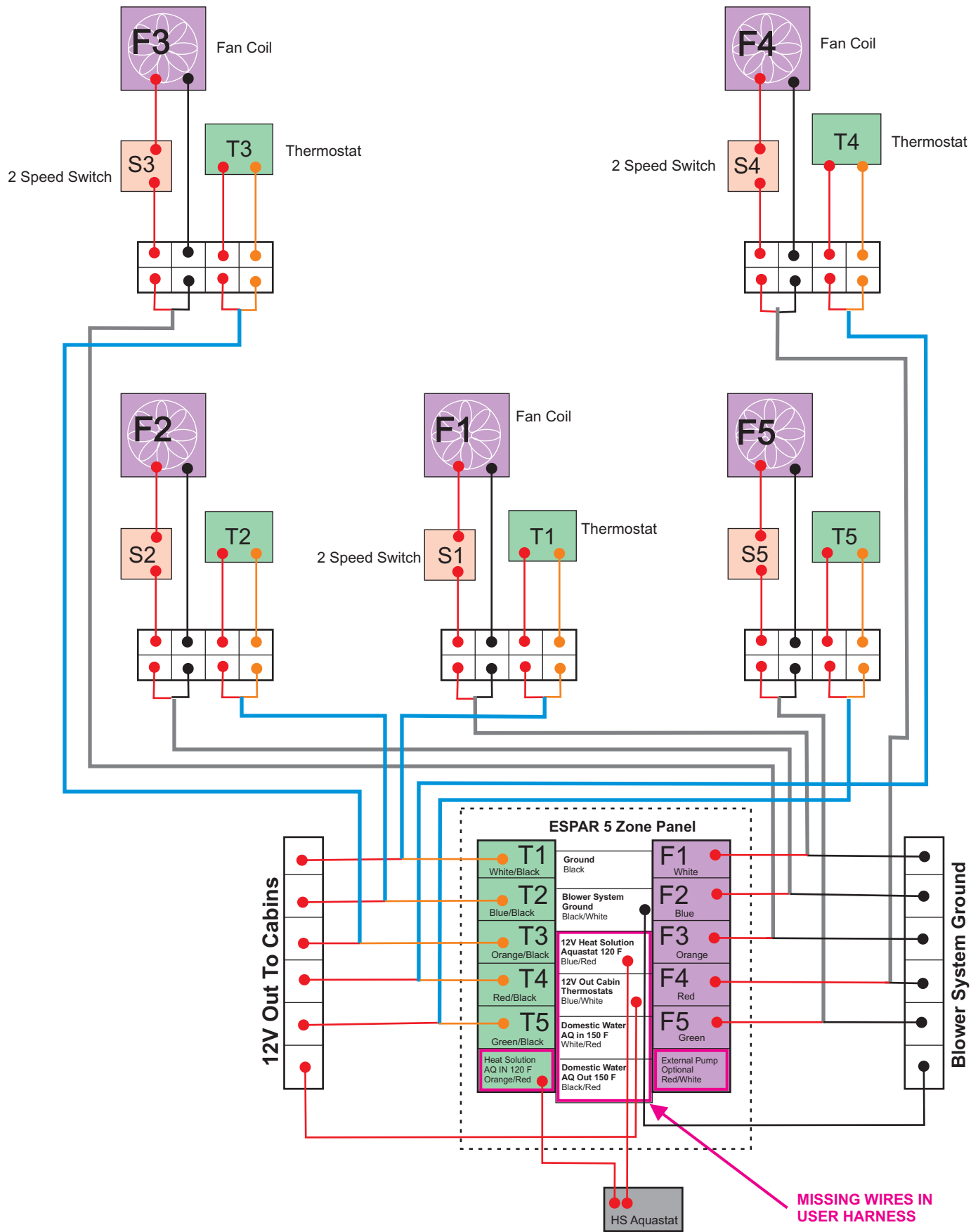


SeaMiles Heating System Wiring Diagram

USER INTERFACE 11/12/11



12V Out To Cabins

ESPAR 5 Zone Panel

| | | | |
|----|--------------|----------------------------------|-------------|
| T1 | White/Black | Ground | Black |
| T2 | Blue/Black | Blower System Ground | Black/White |
| T3 | Orange/Black | 12V Heat Solution Aquastat 120 F | Blue/Red |
| T4 | Red/Black | 12V Out Cabin Thermostats | Blue/White |
| T5 | Green/Black | Domestic Water AQ in 150 F | White/Red |
| | | Heat Solution AQ IN 120 F | Orange/Red |
| | | Domestic Water AQ Out 150 F | Black/Red |
| F1 | White | External Pump | Optional |
| F2 | Blue | | |
| F3 | Orange | | |
| F4 | Red | | |
| F5 | Green | | |

Blower System Ground

MISSING WIRES IN USER HARNESS
Need to Add 3 Wires

SeaMiles Heating System Wiring Diagram SYSTEM INTERFACE 11/12/11

